

Modular LED Street Light: SL-Series



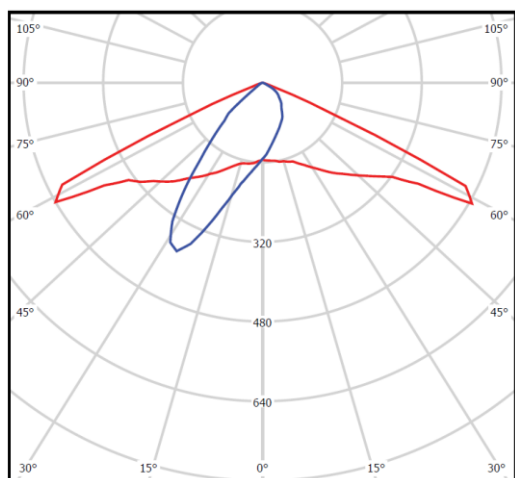
- High efficiency LED luminaire, ultra low profile
- Integrated lens for optimized light pattern
- Modular approach 11W – 60W (wide power range by application of one or several luminaires)
- 12V, 24V LED driver, dimmable
- Luminaire IP65 rated
- Built in vapor exchange membrane for long LED life time
- Waterproof connectors (plug and play)
- Full thermal protection
- High quality powder coating
- LED life time >50,000 h
- High quality optics
- CE, ROHS



Datasheet: DATASHEET-SL-SERIES-2014-02-06-EN Subject to change without notice

SL series lamps are high lumen output, long life, modular and reliable lamps for roadway lighting and other public or private outdoor lighting applications. Using the reliable Luxeon Rebel-ES[®] -LED, which provides excellent performance in light efficiency, lifetime and temperature reliability for the Zimpertec Light Engine. Integrated lenses together with the high transparency PC-Cover lead to an optimized light pattern on the road, which can provide good light distribution even with pole spacings up to 30 m apart. The newly designed aluminum die cast lamp is protected by a high quality powder coating finish. The heat sink is designed for optimized heat dissipation as well as for best appearance. The low draft angled fins resist soiling, enabling the thermal performance to be maintained over the full lifetime of the lamp. By combining the SL11 and SL15, a large range of different total power ratings from 11W to 45W can easily be implemented (11W, 15W, 22W, 26W, 30W, 33W, 37W, 41W, 45W, 52W, 56W, 60W). Simplify your warehousing using modular lamps!

Lgith distribution



preliminary

Light pattern



Datasheet: DATASHEET-SL-SERIES-2014-02-06-EN Subject to change without notice

Zimpertec GmbH & Co. KG
Unterheutal 10
72525 Münsingen,
Germany


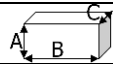

Email: info@zimpertec.com

www.zimpertec.com

SL-xx

Technical Data Lamp:



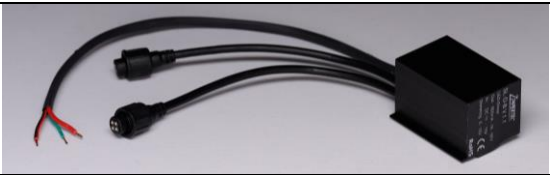
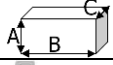

	SL11	SL15
Max. Current:	600mA	600 mA
Power (including driver):	11 W	15 W
Luminous flux @ 600mA:	990 lm	1350 lm
Luminous efficiency Lamp incl. Driver (Lamp only):	90 lm/W (98 lm/W) +/-5%	
Color Rendering Index:	70%	
Working temp. :	-30°C ... +50°C	
Color temperature:	5600K	
Beam Angle: 	AO: 85° x 130° Asymmetric (standard)/ Asimétrico (estándar) SO: 60° x 130° Symmetric (on request)/ Asimétrico (a pedido) R: 120° (on request)/ (a pedido)	
LED Lifetime:	50 000h	
IP:	IP65	
	A: 52,5mm B: 254,5mm C: 74,5mm	
	380g	

Datasheet: DATASHEET-SL-SERIES-2014-02-06-EN Subject to change without notice

Zimpertec GmbH & Co. KG
 Unterheutal 10
 72525 Münsingen,
 Germany

Email: info@zimpertec.com

www.zimpertec.com


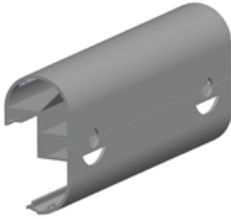
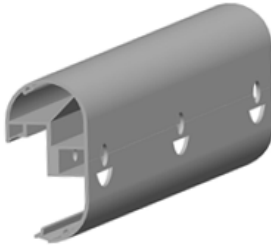
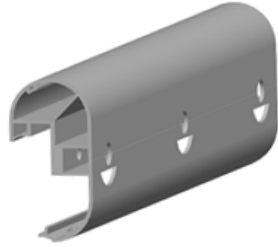


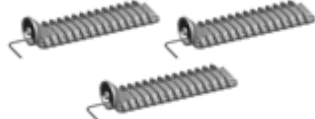

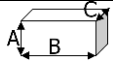

SLD-B Technical Data Driver:				
		SLD-B12V/30W-2L	SLD-B12V/15W-1L	SLD-B24V/30W-2L
	Operate:	1xSL11, 2xSL11, 1xSL15, 2xSL15, 1xSL15 + 1xSL11	1xSL11, 1xSL15	2xSL11, 2xSL15, 1xSL15 + 1xSL11
Input:		Wire (+/-/dimming)		
	Operating voltage:	12V (11 ... 15V)	12V (11 ... 15V)	24V (22 ... 30V)
	Input Power:	11 ... 30W (depend on connected lamps)	11W; 15W (depend on connected lamps)	22W; 30W (depend on connected lamps)
	Input current:	< 3A	<1.5A	<1.5A
	Driver efficiency:	91%	91%	91%
	Dimming input:	1 ... 10V → 10 ... 100%; <0.6V → output off (connect to positive supply voltage if no dimming applied)		
Output:		2 output connectors	1 output connector	2 output connectors
	Output voltage:	15.5 ... 48V	15.5 ... 26V	31 ... 48V
	LED current:	600mA (60 ... 600mA dimmable)		
Electronic protection:	Low voltage protection:	Ca. 10.8V	Ca. 10.8V	Ca. 21.6
	Open output limit:	Ca. 56V	Ca. 27V	Ca. 56V
	Input reverse polarity:	protected		
	Over temperature	Protected: Driver OTP, Lamp OTP		
IP:		IP65		
		A: 34mm B: 50mm C: 32mm		
		160g		

Datasheet: DATASHEET-SL-SERIES-2014-02-06-EN Subject to change without notice

Zimpertec GmbH & Co. KG
 Unterheutal 10
 72525 Münsingen,
 Germany

Email: info@zimpertec.com

www.zimpertec.com

ASSx	ASS1	ASS2s	ASS3s	ASS4s
Assembly tube:				
Application:				
	A:109mm B:165mm C:57mm	A109mm B:197mm C:57mm	A:109mm B:315mm C:57mm	A:109mm B:433mm C:57mm
	520g	610g	Ca. 970g	Ca. 1320g

Datasheet: DATASHEET-SL-SERIES-2014-02-06-EN Subject to change without notice

Zimpertec GmbH & Co. KG
 Unterheutal 10
 72525 Münsingen,
 Germany

Email: info@zimpertec.com

www.zimpertec.com